

# FROM DREAM TO REALITY

From inspiration to completion, we will reveal how our vanities are brought to life through expert craftsmanship, innovative engineering, and purposeful pairing with our signature lighted mirrors and make-up mirrors.



# PROCESS

## Consultation



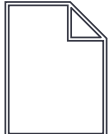
Discuss project details, desired goals, finishes, and any project-related questions.

## Collaboration



Discuss questions throughout ideation to assist in the project development.

## Proposal



Provide budget pricing to ensure design is within project requirements.

## Creation



Create drawings and physical sample(s) for review in the model room.

## Approvals



Finalize all drawings, finishes, and pricing.

## Development



Provide finish and product sample(s) for review and share expert feedback on cost-saving opportunities.

## Review



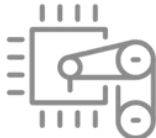
Discuss the product sample(s) and changes necessary for production.  
Provide an updated budget.

## Field Measurements



Visit the project site and measure each vanity space to provide dimensions for each room.

## Production



Provide production timeline, progress updates and photos.

## Delivery + Installation



Provide tracking and timeline.  
Discuss recommended ways of moving, unloading, and installing product.

## After Sales Support



Provide quick responses to damage claims.  
Team members available to visit the property to review active issues.



VANITIES  
BY ELECTRIC MIRROR®

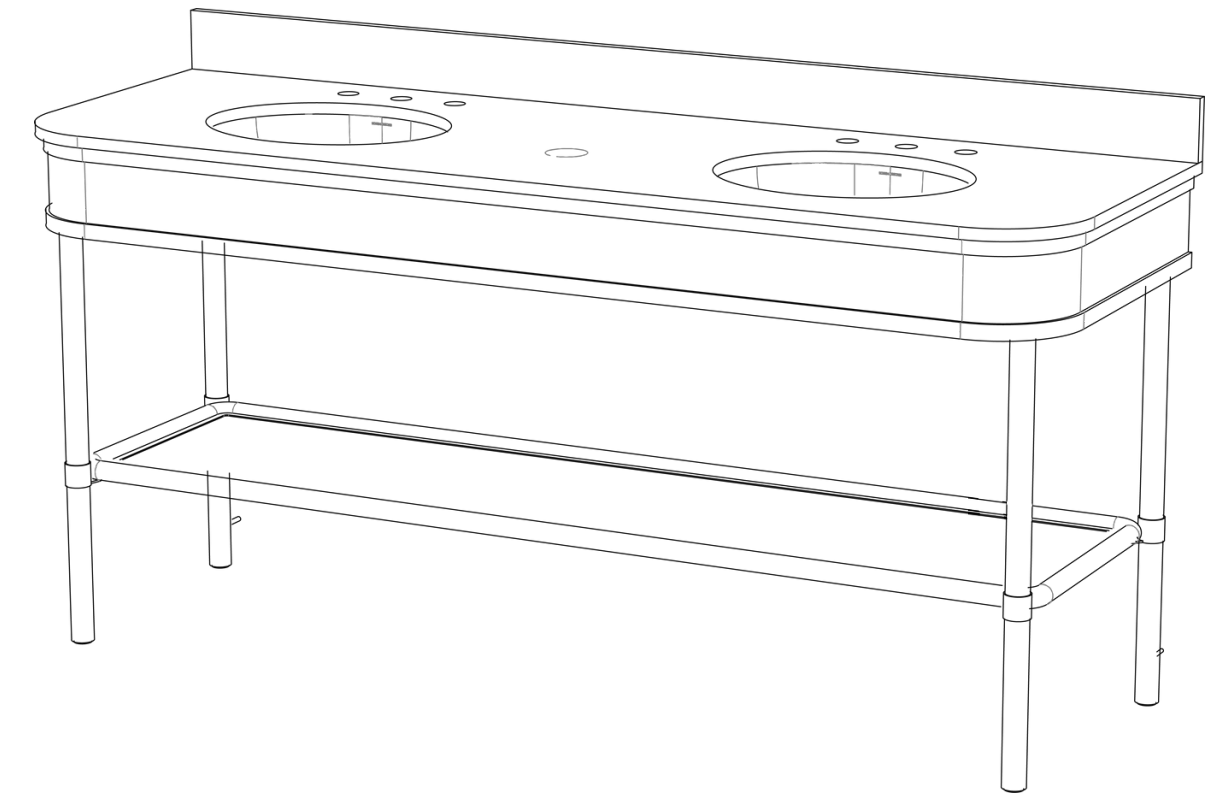
---

# **SPECIFICATION**

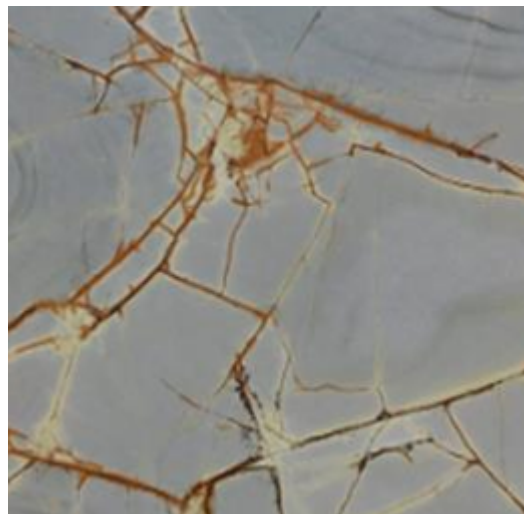
**Model Name:** 72" Double Vanity  
**Model Number:** VB-MGD-722434-BR02-OS3

**Dimensions:** 72"W x 24"D x 34.5"H (including backsplash)  
**Sink:** 19 5/16"W x 15 7/16"D x 7 3/16"H  
**Finish:** Stainless Steel, PVD Brushed Brass (BR-02)  
**Top Mat'l/Finish:** Blue Roma Quartzite - Polished and Sealed  
**Base Mat'l/Finish:** PVD Brushed Brass (BR-02)  
**Edge Detail:** Eased Edge  
**Hardware Finish:** N/A

**Description:** Custom free-standing bath vanity with two (2) sinks, bottom shelf, and natural stone top. Base with rounded metal apron and four (4) round legs. Shelf to have we custom weave pattern and run the length of the vanity. Undercounter LED lighting with motion sensor to be included. Stone top to have 3" backsplash. Sink to be an undermount sink.



**Materials:**



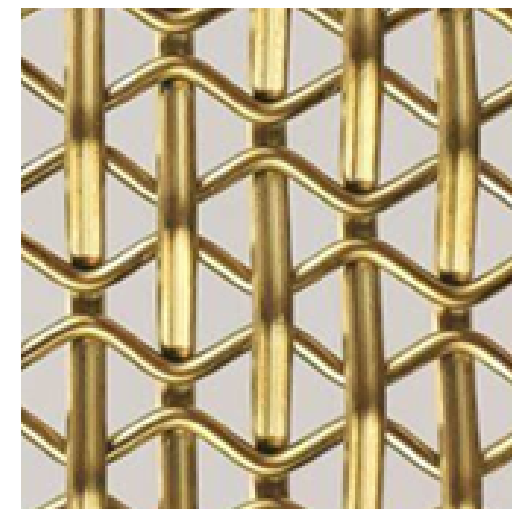
Countertop



Base Finish



Apron Detail



Shelf Detail

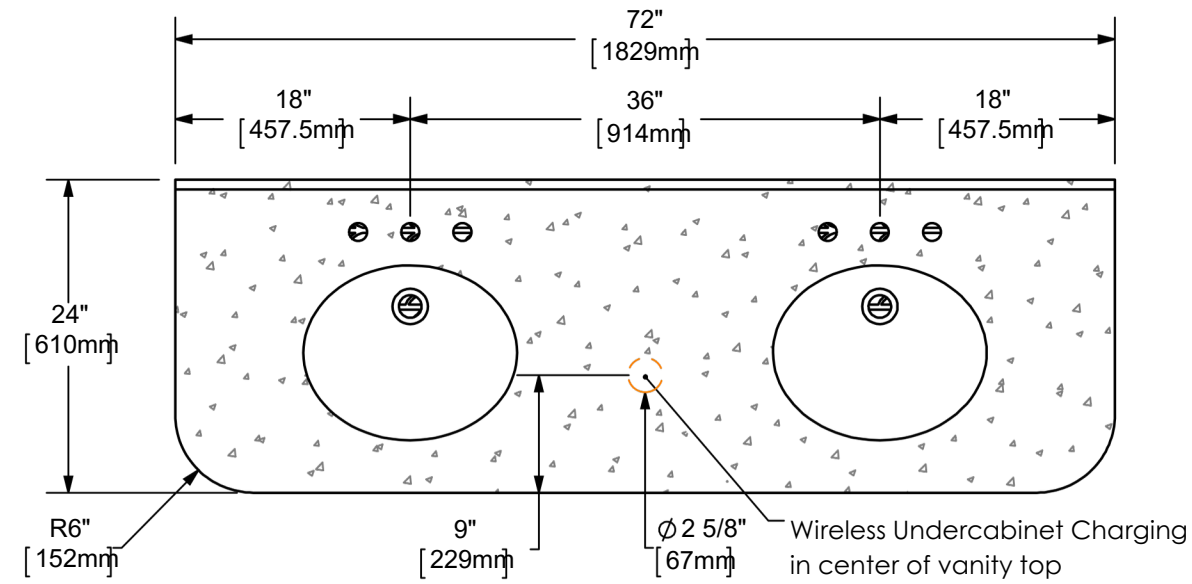


Sink

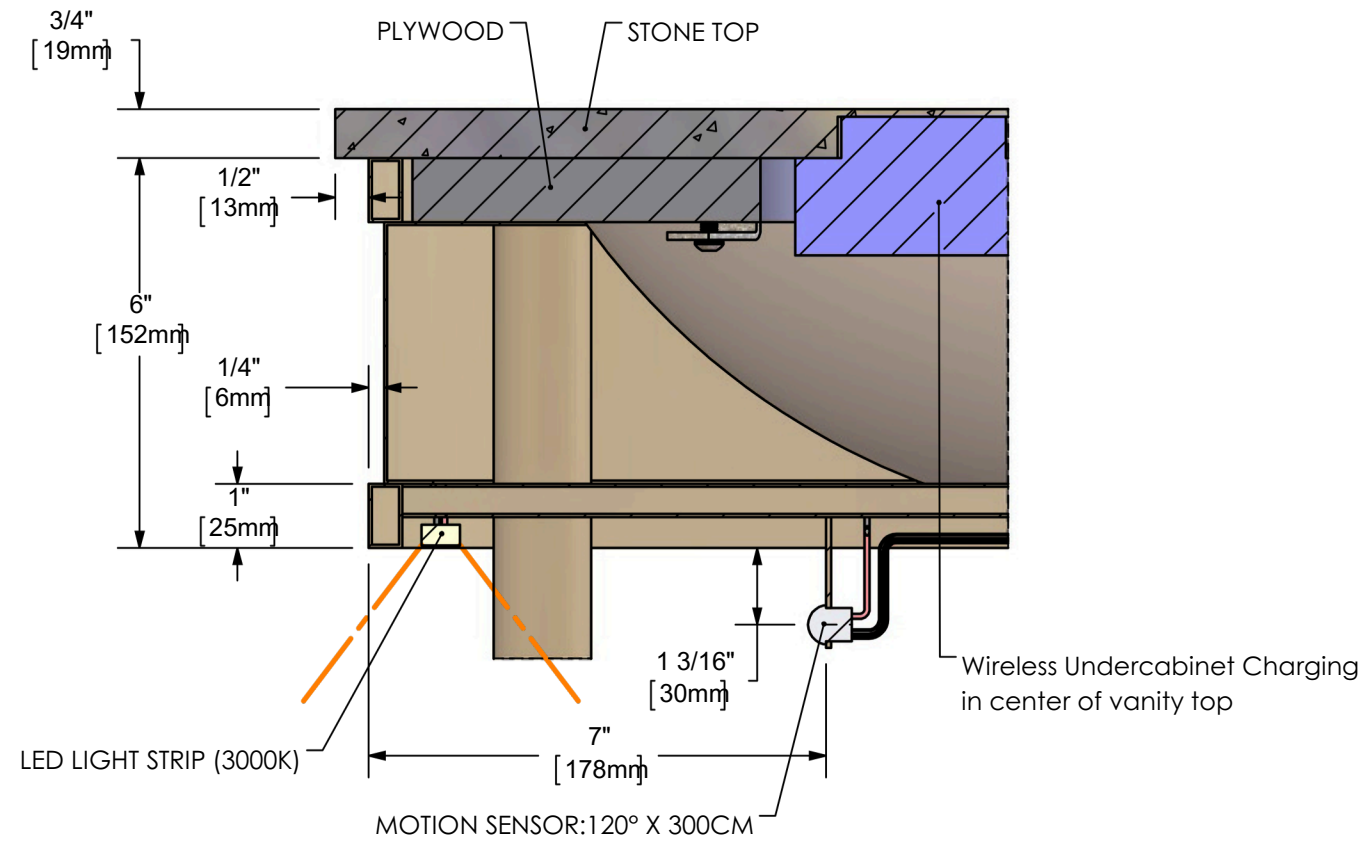
\*BY APPROVING THIS DRAWING YOU ARE ENSURING THAT THESE DIMENSIONS HAVE BEEN FIELD VERIFIED.

APPROVED BY: \_\_\_\_\_ DATE: \_\_\_\_\_

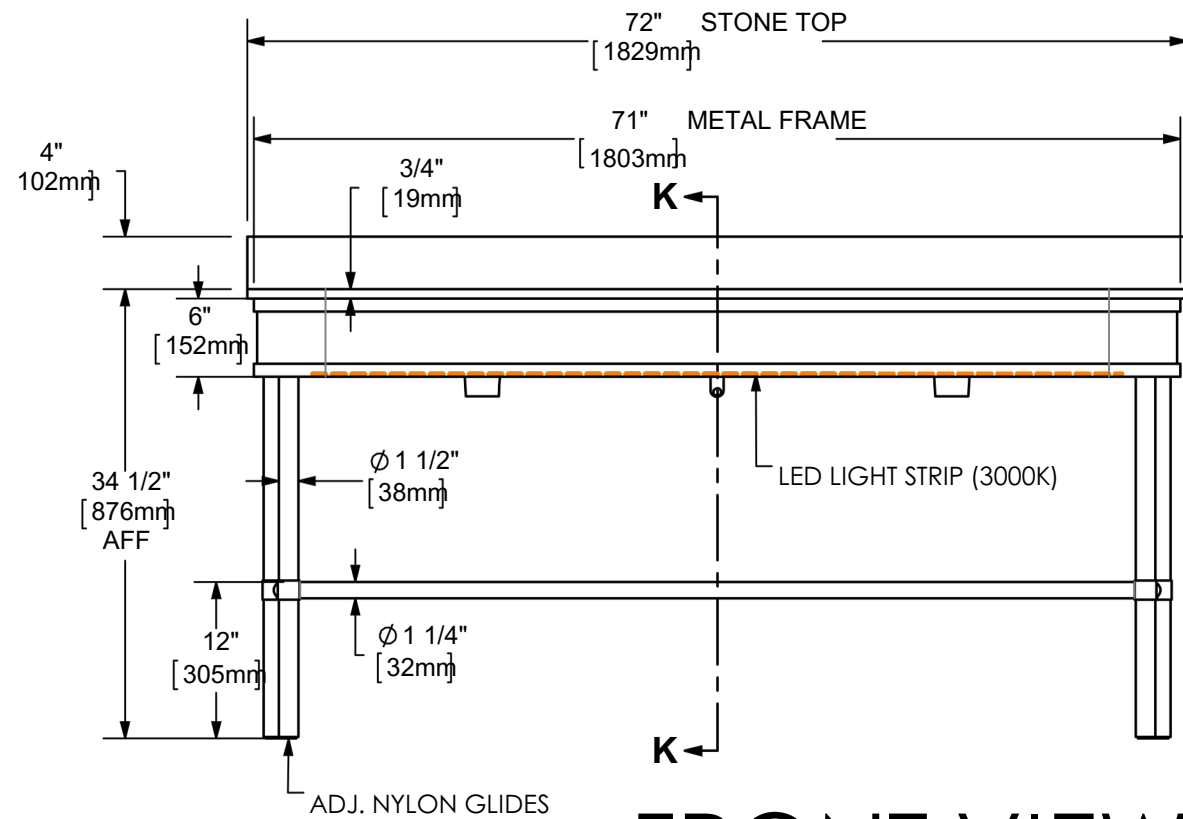
REVISION REQUESTED



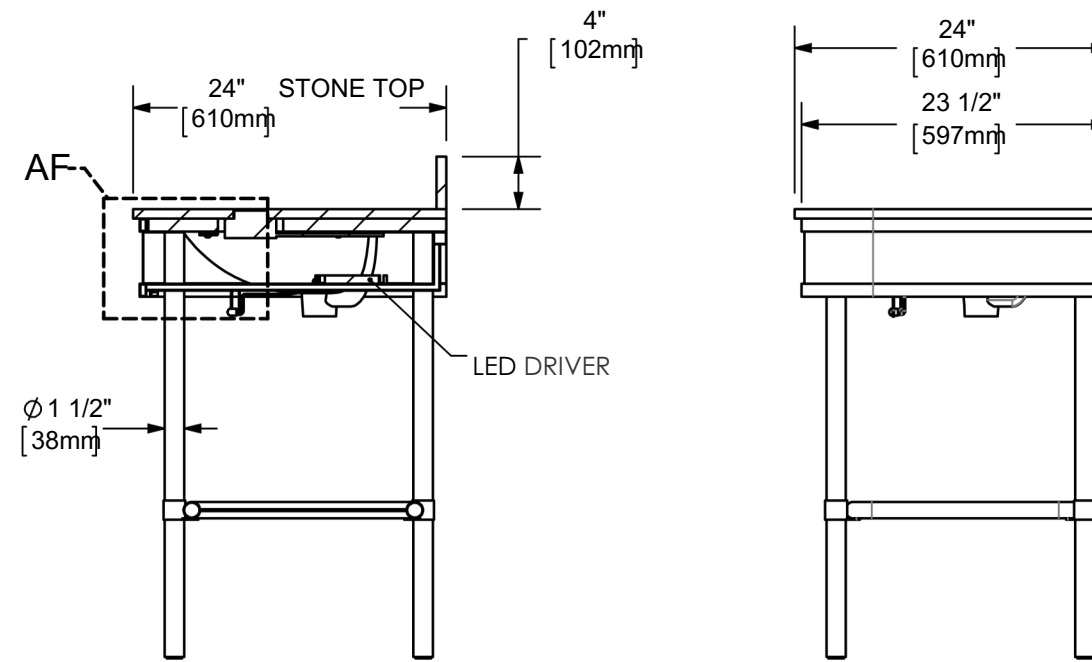
**TOP VIEW**



**DETAIL AF 1 : 4**



**FRONT VIEW**



**SECTION K-K**

**RIGHT VIEW**

IMAGE SHOWN FOR DESIGN INTENT.

PROJECT NO:  
3806

DATE:  
03/19/2025

CAD DWG: ME-300-CG

**SHEET TITLE: 72"**  
**DOUBLE VANITY**

VANITIES  
BY ELECTRIC MIRROR®

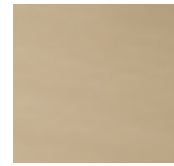
---

**DRAWINGS**

\*BY APPROVING THIS DRAWING YOU ARE ENSURING THAT THESE DIMENSIONS HAVE BEEN FIELD VERIFIED.

APPROVED BY: \_\_\_\_\_ DATE: \_\_\_\_\_

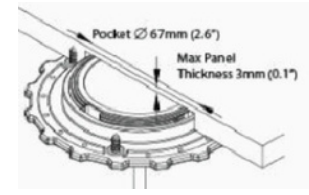
REVISION REQUESTED



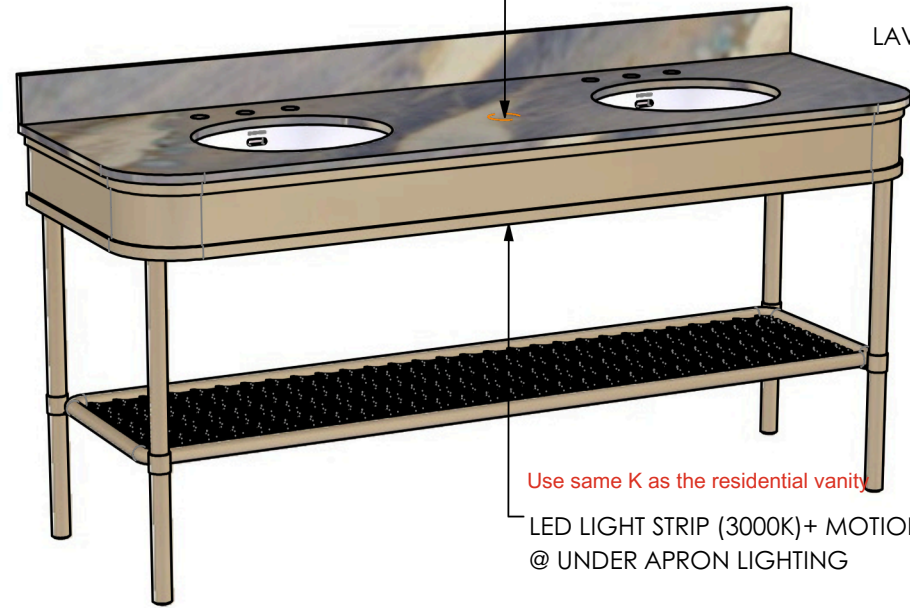
BR-02  
304 Stainless Steel  
Brushed Brass



STN-A1  
Countertop & Backsplash  
Azu Imperial Deep Blue Quartzite



Wireless Undercabinet Charging in center of vanity top: Ø2.6"  
 - Soft white glow, Glows to show you where the charging is located  
 - a fast-lighting charging, The entire area where the charging is should charge  
 - ROKK Wireless Hidden 10W- SC-CW-01F



PERSPECTIVE VIEW

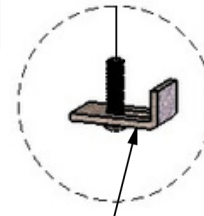
Use same K as the residential vanity

LED LIGHT STRIP (3000K)+ MOTION SENSOR  
@ UNDER APRON LIGHTING

Countertop & Backsplash: STN-A1

SINK: UNDERMOUNT / VITREOUS CHINA  
MODEL #: EM-566  
OUT SIZE: W48 X D40.5 X H19 cm

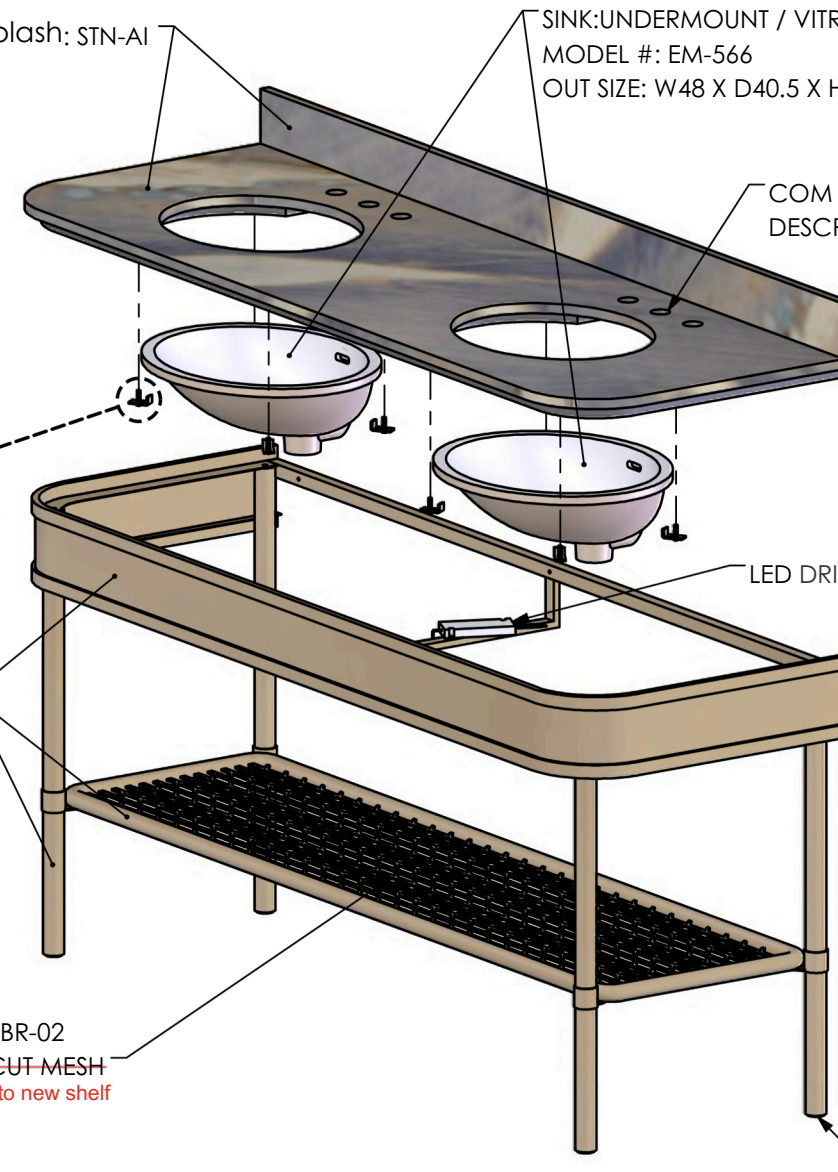
COM FAUCET  
DESCRIPTION: 3 PIECE FAUCE



LAVATORY UNDERMOUNT KIT

METAL FRAME & SHELF: BR-02

METAL MESH: BR-02  
T: 1/8" LASER CUT MESH  
Change to new shelf



EXPLODED VIEW

ADJ. NYLON GLIDES

REVISIONS				
REV.	DRAWN	DESCRIPTION	DATE	APPROVED

**ELECTRIC MIRROR**

CONTACT US: consultants@electricmirror.com T+1.425.776.4946

© 2025 Double Sink Vanity

SALES AID -02/07/2025

PROPRIETARY AND CONFIDENTIAL: THE INFORMATION CONTAINED IN THIS DRAWING IS THE SOLE PROPERTY OF ELECTRIC MIRROR L.L.C. ANY REPRODUCTION IN PART OR AS A WHOLE WITHOUT THE WRITTEN PERMISSION OF ELECTRIC MIRROR L.L.C. IS PROHIBITED. © 2025 ELECTRIC MIRROR

DIMS IN INCHES [mm]  
TOLERANCE: ±1/8" [±3]

SCALE: 1:18

REV. OSA. 1

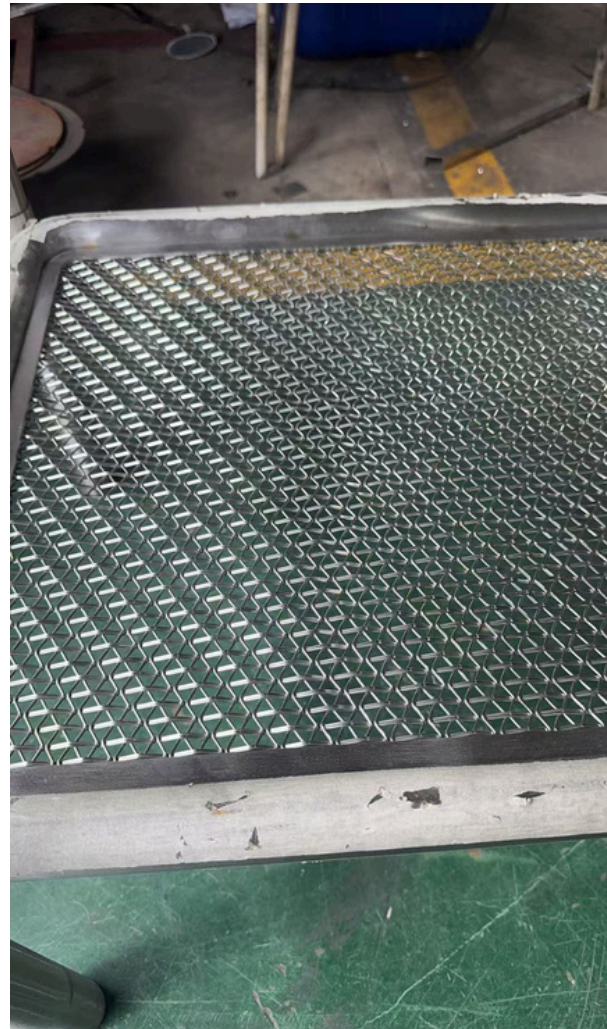
PG. 1 OF 6



VANITIES  
BY ELECTRIC MIRROR®

---

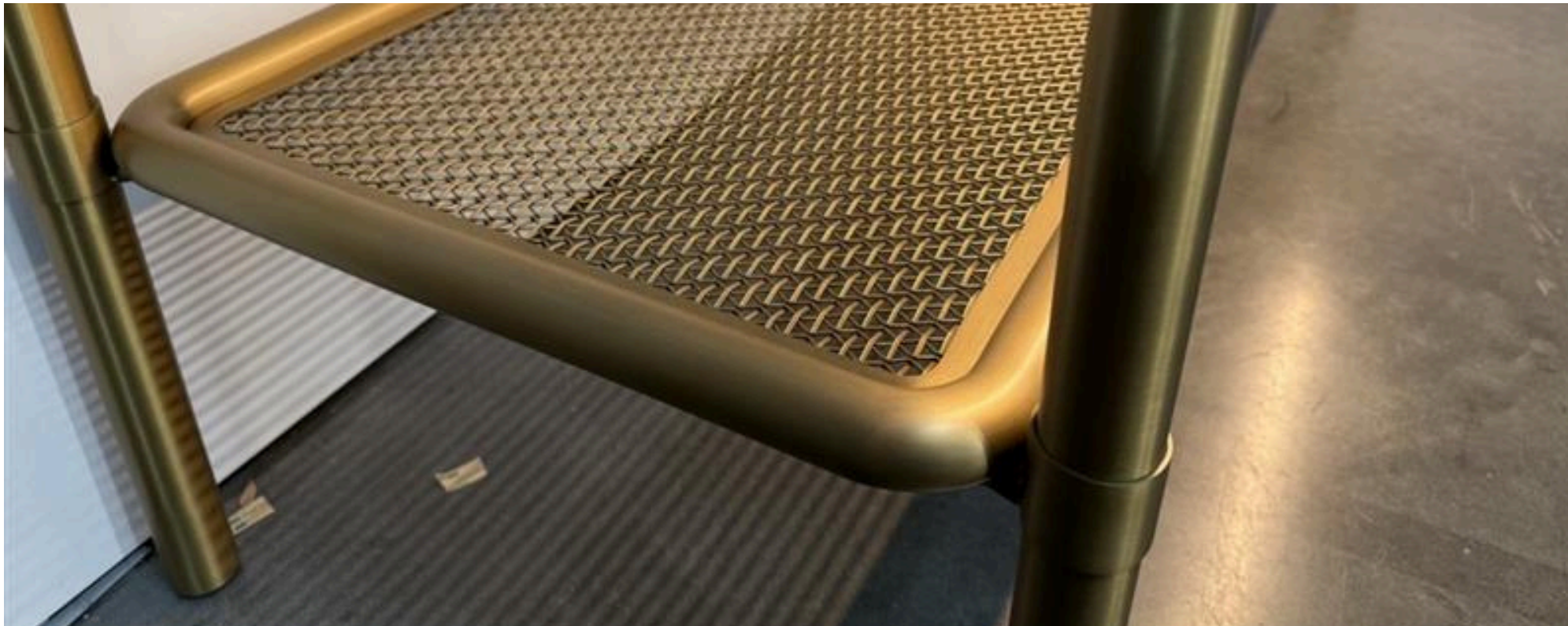
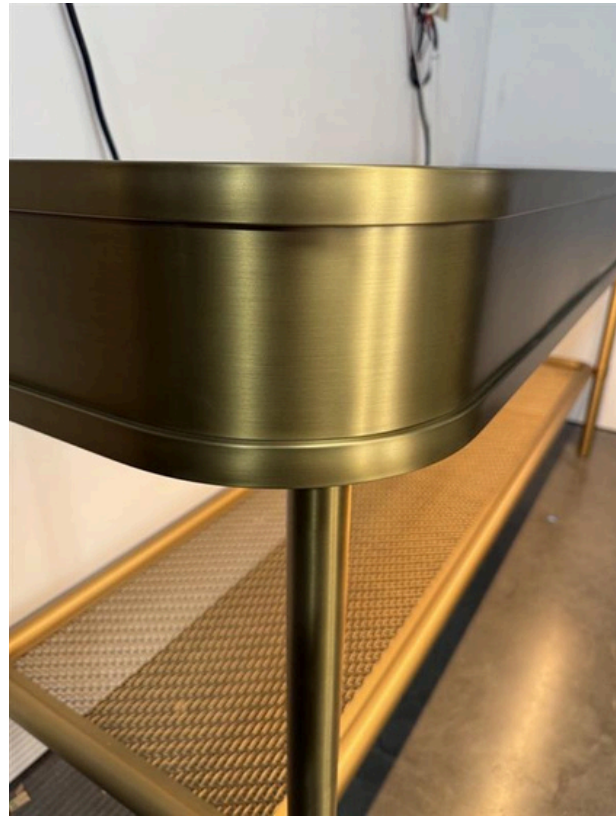
**PRE-PRODUCTION  
SAMPLE**



VANITIES  
BY ELECTRIC MIRROR®

---

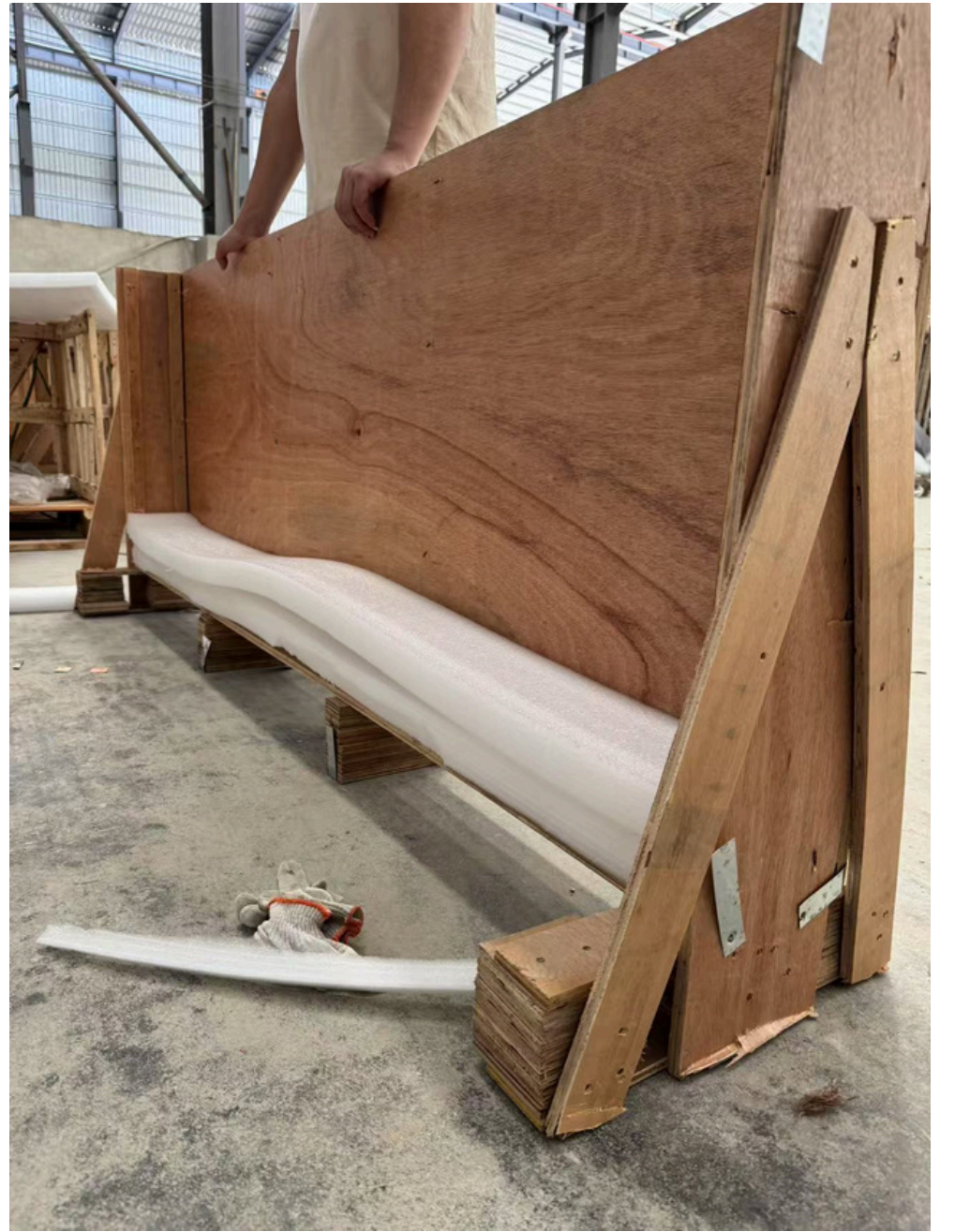
**PRE-ASSEMBLY**



VANITIES  
BY ELECTRIC MIRROR®

---

**SHIPPING**



VANITIES  
BY ELECTRIC MIRROR®

---

**PAIRING**

# THE + PERFECT PAIRING

CUSTOM VANITIES  
FOR ANY APPLICATION.

## Custom Built

- Tops
- Sinks
- Bases

## Technology Integration

- Wireless Charging
- Motion Sensors
- Integrated Lighting

▶ **EMINENCE™**  
LIGHTED MIRROR

▶ **BLUSH™**  
MAKEUP MIRROR

▶ **MARIGOLD™**  
72" DOUBLE VANITY

VANITIES  
BY ELECTRIC MIRROR®

---

**FINISHED PRODUCT**

**VANITIES** BY **ELECTRIC MIRROR®**



# THE + PERFECT PAIRING

[sales@electricmirror.com](mailto:sales@electricmirror.com)  
425.776.4946  
[electricmirror.com](http://electricmirror.com)



**EMINENCE™**  
LIGHTED MIRROR



**BLUSH™**  
MAKEUP MIRROR



**MARIGOLD™**  
72" DOUBLE VANITY